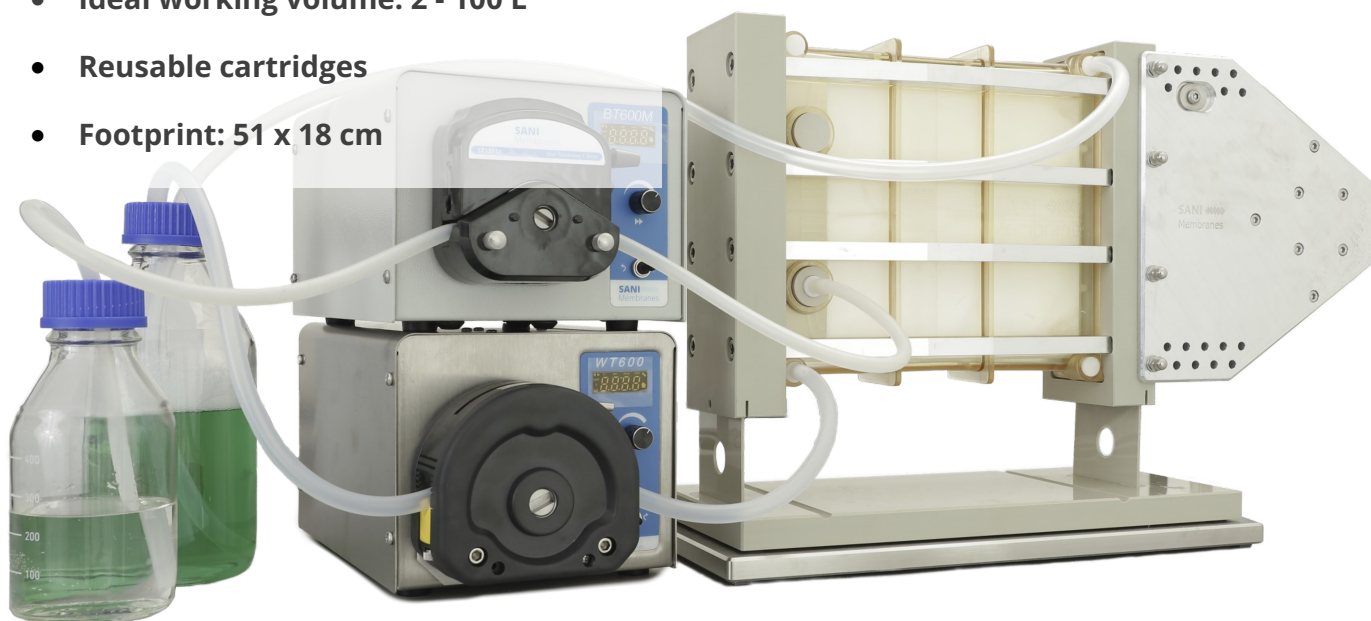


- Drainable hold-up volume: 500 mL
- Ideal working volume: 2 - 100 L
- Reusable cartridges
- Footprint: 51 x 18 cm



Easy to understand and use

Vibro-Lab3500 reduces the complexity of membrane filtration due to the patented Vibro® technology and Free Flow Plate™ Technology

Improved process development

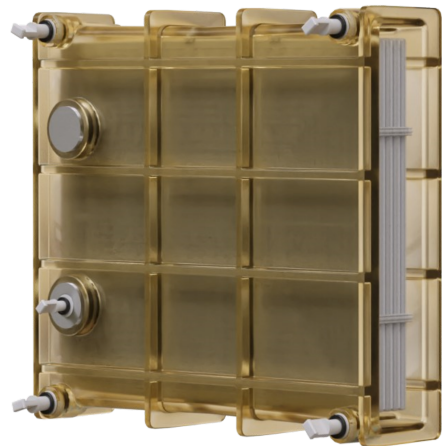
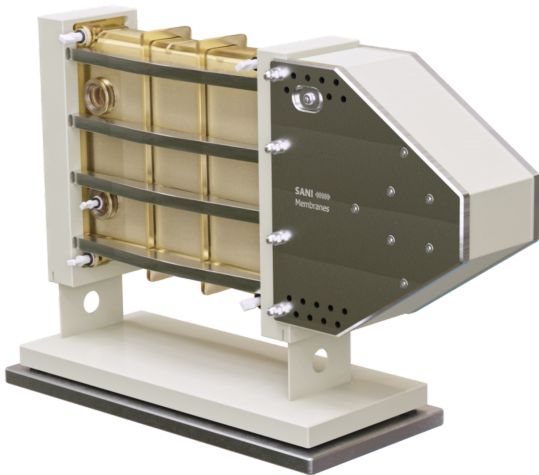
Vibro-Lab3500 is the ideal equipment for process development and membrane screening. The transparent housing makes it possible to observe membrane area during process and draining.

Easy setup

The reduced complexity makes Vibro-Lab3500 simple to setup and connect, as the cross flow pump is redundant and cooling is not needed.

Vibro-Lab3500

Product Sheet



Vibro-Lab3500 Unit

Weight	12.7 kg + damper steel base 8.4 kg
Dimensions (L x W x H)	532 mm x 180 mm x 390mm
Power Consumption	40 W excl. feed system
Noise Level	< 60 dBA
Ideal Working Volume	2 - 100 L

Vibro-Lab3500 Accessories and Spare Parts

Feed pump	Peristaltic pump with silicone tubing
Mix flow pump (for very high viscosities)	Peristaltic pump with silicone tubing
Permeate pump	Peristaltic pump with silicone tubing
Accessory Kit	Manometer on stand with all necessary fittings and tubing
Leaf Spring Set	2 polymer leaf spring assemblies
Air cushions	Set of EPDM air cushions

Lab3500 Cartridge

Connection ports	Retentate / Feed in: 8 mm Permeate: 6 mm
Membrane Area	3500 cm ²
Dimensions (L x W x H)	250 mm x 70 mm x 230 mm
Internal Retentate Volume	Ca. 500 mL, fully drainable
Internal Permeate Volume	170 mL, fully drainable
Viscosity Range, Apparent	1 - 1000 cP (e.g. Cream Cheese)
Temperature Range	5 - 55 °C
Operating Pressure	0 - 3 bar(g) (temperature dependent)
pH Range	1 - 13 (membrane dependent)
Media contact materials	Polypropylene, EPDM, PSU, stainless steel, food grade biopolymer. All materials are suitable for GMP

Lab3500 Cartridge Membranes

Membrane type	Cut-off	Membrane Material
UF	1 - 800 kDa	PES, PESH, PVDF, RC
MF	800 kDa - 1.2 µm	PES*, PVDF

The unit can be equipped with your membrane of choice. SANI Membranes have a line of standard MF and UF membranes on stock. Most commercially available membranes can be used on request. Please, do not hesitate to contact us with your membrane wishes.

***Note:** New membranes under implementation, released for customer test & evaluation. Contact SANI Membranes for a detailed specification / CoC