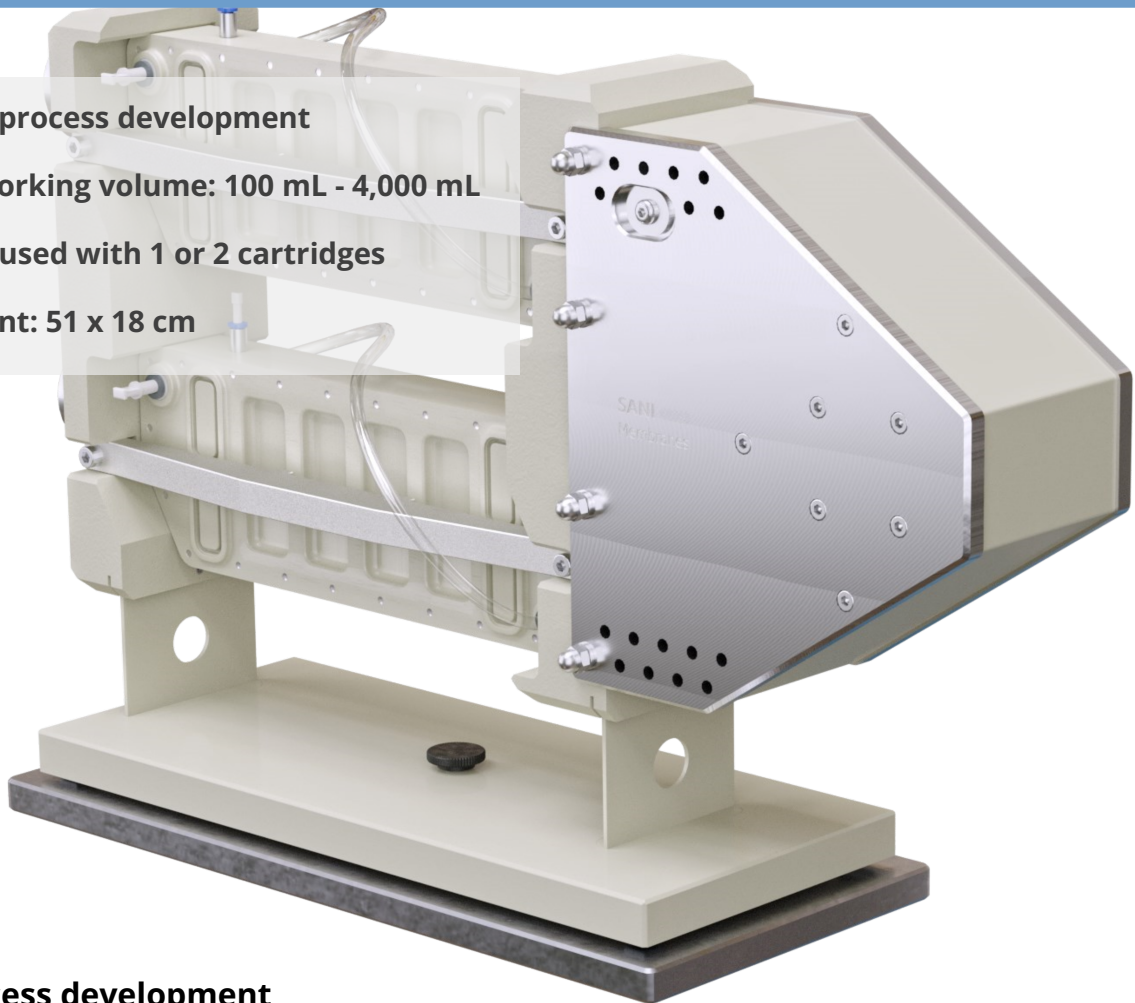


- Simple process development
- Ideal working volume: 100 mL - 4,000 mL
- Can be used with 1 or 2 cartridges
- Footprint: 51 x 18 cm



## Faster process development

The Vibro-Lab280 is the ideal solution for benchtop filtration and process development. The unit can be equipped with 1 or 2 cartridges, enabling a large span in working volume to work with.

## Superior recovery

Unique process control for microfiltration applications, enables low and uniform transmembrane pressure with high transmission of target molecules.

## No shear, and high concentrations

Gentle product handling is possible as no cross flow pump is needed. The open membrane structure allows for very high concentrations and viscosities.

## Large selection of membranes with different cut-off

Cartridges can be equipped with membranes of many different materials with cut-offs ranging from 1 kDa to 1.2  $\mu\text{m}$ .

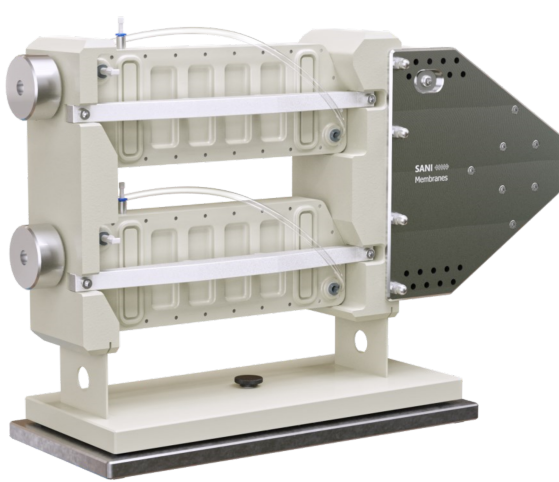


**SANI**   
Membranes

SANI Membranes A/S

[www.sanimembranes.com](http://www.sanimembranes.com)

Ryttermarken 8 | DK-3520 Farum | Denmark



## Vibro-Lab280 Unit

Weight	12.7 kg + damper steel base 8.4 kg
Dimensions (L x W x H)	532 mm x 180 mm x 390mm
Internal Retentate volume	70 mL per cartridge, fully drainable
Internal Permeate volume	7 mL per cartridge, fully drainable
Power Consumption	40W excl. feed system
Noise Level	< 60 dBA
Ideal Working Volume	100 mL - 4,000 mL

## Vibro-Lab280 Accessories and Spare Parts

Permeate pump	Peristaltic pump with silicone tubing
Retentate pump	Peristaltic pump with silicone tubing
Accessory Kit	Manometer on stand with all necessary fittings and tubing
Leaf Spring Set	2 polymer leaf spring assemblies

## Cartridge Data

Connection ports	Media ports: 6 mm Permeate port: 4 mm
Membrane Area	280 cm <sup>2</sup>
Dimensions (L x W x H)	277 mm x 43 mm x 100 mm
Viscosity Range, Apparent	1 - 1000 cP (e.g. Cream Cheese)
Temperature Range	5 - 55 °C
Operating pressure	0 - 2 bar(g) (temperature dependent)
pH Range	1 - 13 (membrane dependent)
Media contact materials	Polypropylene, EPDM, stainless steel., polyurethane. All materials are suitable for GMP

## Lab280 Cartridge Membranes

Membrane type	Cut-off	Membrane Material
UF	1 - 800 kDa	PES, PESH, PVDF, RC
MF	800 kDa - 1.2 µm	PES*, PVDF

**The unit can be equipped with your membrane of choice.** SANI Membranes have a line of standard MF and UF membranes on stock. Most commercially available membranes can be used on request. Please, do not hesitate to contact us with your membrane wishes.

\*Note: New membranes under implementation, released for customer test & evaluation. Contact SANI Membranes for a detailed specification / CoC