

# VMF

 | Vibro®  
Membrane  
Filtration

## Vibro-Lab35P

Benchtop Ultra- & Microfiltration



### From setup to validation

Simple | reliable | fully supported.

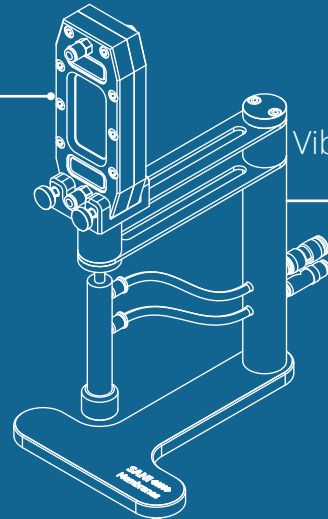
#### Small-scale innovation or screening

The Vibro-Lab35P enables rapid screening and feasibility studies with continuous membrane micro- or ultrafiltration, at just 20 mL feed. With minimal sample volume required, it makes early testing faster, more efficient, and cost-effective.

#### Superior yield. Gentle processing.

The unique process control enables a low, uniform and controllable TMP, delivering superior recovery and high transmission of target molecules, where the gentle product handling makes it possible to reach very high concentrations and viscosities without compromising product quality.

Lab35  
Cartridge



Vibro-Lab35P  
Drive



**Ideal feed volume**  
20 mL - 1000 mL



**Configurable membrane**  
From 1 kDa **UF** to 1.2  $\mu$ m **MF**



**Membrane area**  
35 cm<sup>2</sup>

# SANI

 Membranes

### Curious? Let's connect.



**Michael Juul Jensen**

Global Sales and Process Tech Manager

+45 5116 9818

mij@sanimembranes.com



**Adam Poulsen**

Pharma Key Account Manager

+45 5376 1497

apo@sanimembranes.com



LinkedIn

# Vibro-Lab35P

Benchtop Ultra- & Microfiltration



## Specifications

Vibro-Lab35P Drive

### Mechanical specifications

Weight	2.4 kg
Supply	Compressed air 6 - 10 bar(g)
Noise level	<65 dBA

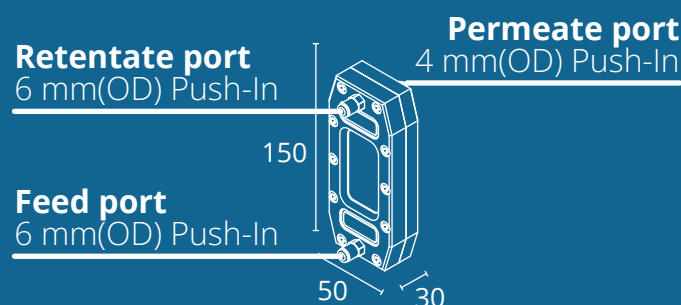
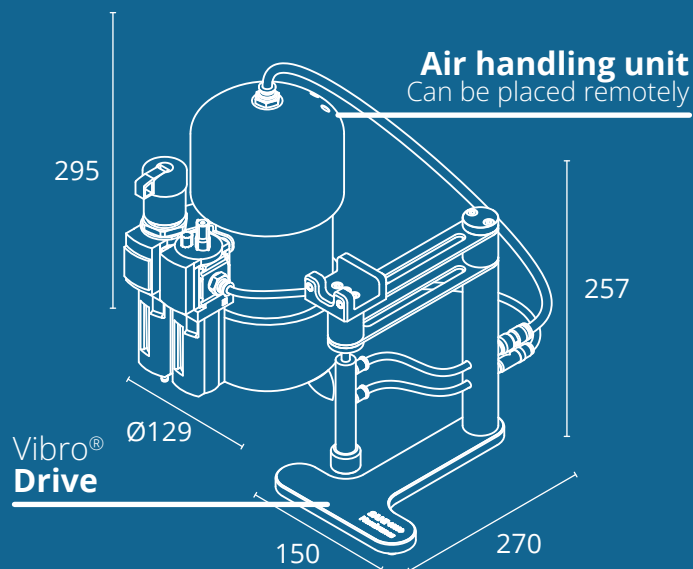
Vibro® Lab35 Cartridge

### Mechanical specifications

Membrane area	35 cm <sup>2</sup>
Internal retentate volume	8 mL
Internal permeate volume	negligible
Drainable	Yes
Media contact materials	polypropylene, EPDM, food grade biopolymer, PU ether tubing.

### Operational range

Operating pressure	0 - 3 bar(g)
pH range	1 - 13 (membrane dependent)
Temperature range	5 - 55 °C
Viscosity range	1 - 1000 cP



**SANI** Membranes

## Curious? Let's connect.



### Michael Juul Jensen

Global Sales and Process Tech Manager

+45 5116 9818

mij@sanimembranes.com



### Adam Poulsen

Pharma Key Account Manager

+45 5376 1497

apo@sanimembranes.com



LinkedIn